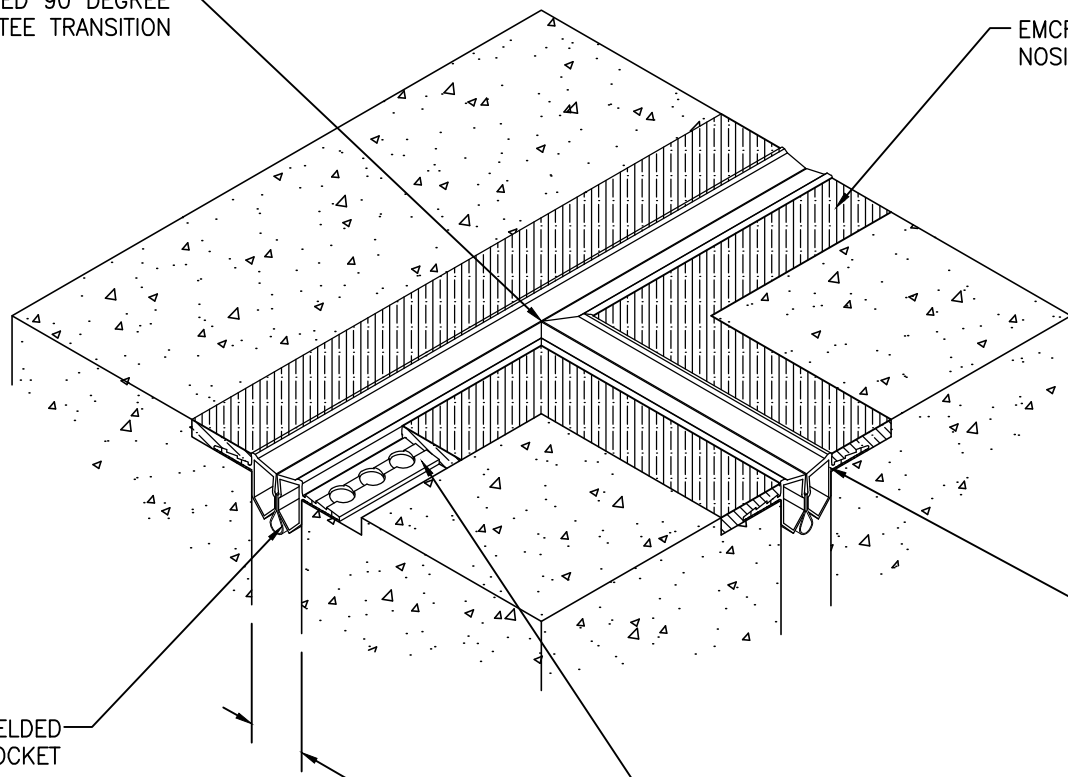


FACTORY-WELDED 90 DEGREE
TEE TRANSITION

EMCRETE ELASTOMERIC
NOSING MATERIAL



FACTORY-WELDED
SHEAR POCKET

HEAT-WELDABLE SANTOPRENE
THERMAFLEX™ GLAND
(SEE APPLICABLE DETAIL FOR DESIRED
SIZE AND SYSTEM FEATURES)

VARIES

PERFORATED FLANGES ENCAPSULATED
IN NOSING MATERIAL
(NOSING NOT SHOWN FOR CLARITY)

EMSEAL JOINT SYSTEMS LTD.

THERMAFLEX™ 90 DEG. TEE TRANSITION WITH SHEAR POCKETS

THIS DOCUMENT CONTAINS INFORMATION OF A CONFIDENTIAL NATURE AND IS PROPRIETARY TO EMSEAL JOINT SYSTEMS LTD. ANY UNAUTHORIZED USE WILL BE PROSECUTED. THIS DRAWING IS PROTECTED BY COPYRIGHT, THE RIGHT TO REPRODUCE IN ANY FORM BEING THE EXCLUSIVE RIGHT OF EMSEAL JOINT SYSTEMS LTD. ANY UNAUTHORIZED REPRODUCTION WHETHER IN TWO OR THREE DIMENSIONS WILL BE PROSECUTED. © 2014 EMSEAL JOINT SYSTEMS LTD.

DRAWN BY: CJG	DATE: 2018/01/16	SCALE: N.T.S.	SHEET No: 1 OF 1
------------------	---------------------	------------------	---------------------

PART NUMBER:
TM_DD_90DEG_TEE_TRANS_WITH_SHEAR_POCKETS_ISO