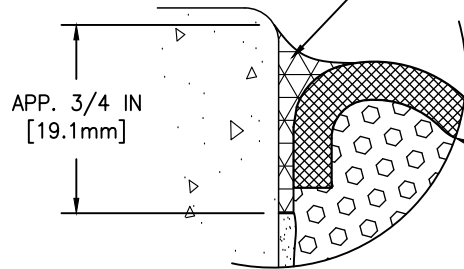


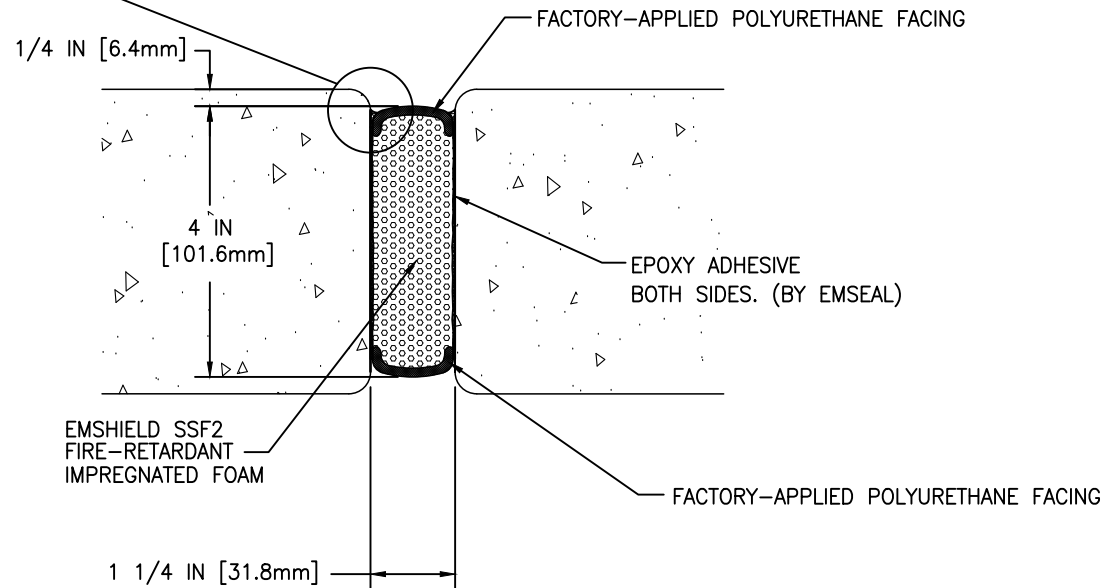


System # FF-D-0077
System # JF136

FIELD-APPLIED POLYURETHANE SEALANT BAND AND
CORNER BEADS FORCED DOWN ALONG SIDE
OF EMSHIELD SSF2 AS SHOWN - BOTH SIDES
(POLYURETHANE SUPPLIED BY EMSEAL)



APP. 3/4 IN
[19.1mm]



1/4 IN [6.4mm]

4 IN
[101.6mm]

EMSHIELD SSF2
FIRE-RETARDANT
IMPREGNATED FOAM

1 1/4 IN [31.8mm]

FACTORY-APPLIED POLYURETHANE FACING

EPOXY ADHESIVE
BOTH SIDES. (BY EMSEAL)

FACTORY-APPLIED POLYURETHANE FACING

MOVEMENT: $\pm 50\%$
+ 5/8 IN (16mm)
- 5/8 IN (16mm)

EMSEAL'S EMSHIELD SSF2 HAS BEEN TESTED IN ACCORDANCE WITH UL 2079 IN THE CONFIGURATION DEPICTED IN SYSTEM # FF-D-0077. USE OF THIS MATERIAL IN WALL ASSEMBLY CONFIGURATIONS OTHER THAN THAT DEPICTED IN UL SYSTEM # FF-D-0077 WILL NOT ENCUMBER OR LOWER THE RESISTANCE OF THE WALL BUT IS DONE SO AT THE DESIGNERS' DISCRETION AND RESPONSIBILITY FOR DESIGN OF A FIRE RATED WALL ASSEMBLY THAT MEETS APPLICABLE STANDARDS FOR THE PROJECT AND WHICH ADDITIONALLY IS CAPABLE OF RESISTING THE APPROXIMATELY 2.5 PSI (120 LBS PER FOOT OF JOINT BASED ON 4-INCH DEPTH OF SEAL) BACKPRESSURE OF THE SSF2 MATERIAL.

EMSEAL JOINT SYSTEMS LTD.

EMSHIELD SSF2 - 0125 DECK TO DECK

THIS DOCUMENT CONTAINS INFORMATION OF A CONFIDENTIAL NATURE AND IS PROPRIETARY TO EMSEAL JOINT SYSTEMS LTD. ANY UNAUTHORIZED USE WILL BE PROSECUTED. THIS DRAWING IS PROTECTED BY COPYRIGHT, THE RIGHT TO REPRODUCE IN ANY FORM BEING THE EXCLUSIVE RIGHT OF EMSEAL JOINT SYSTEMS LTD. ANY UNAUTHORIZED REPRODUCTION WHETHER IN TWO OR THREE DIMENSIONS WILL BE PROSECUTED. © 2014 EMSEAL JOINT SYSTEMS LTD.

DRAWN BY: ORK	DATE: 2016/04/12	SCALE: N.T.S.	SHEET No: 1 OF 1
PART NUMBER: SSF2_0125_DD_CONC			