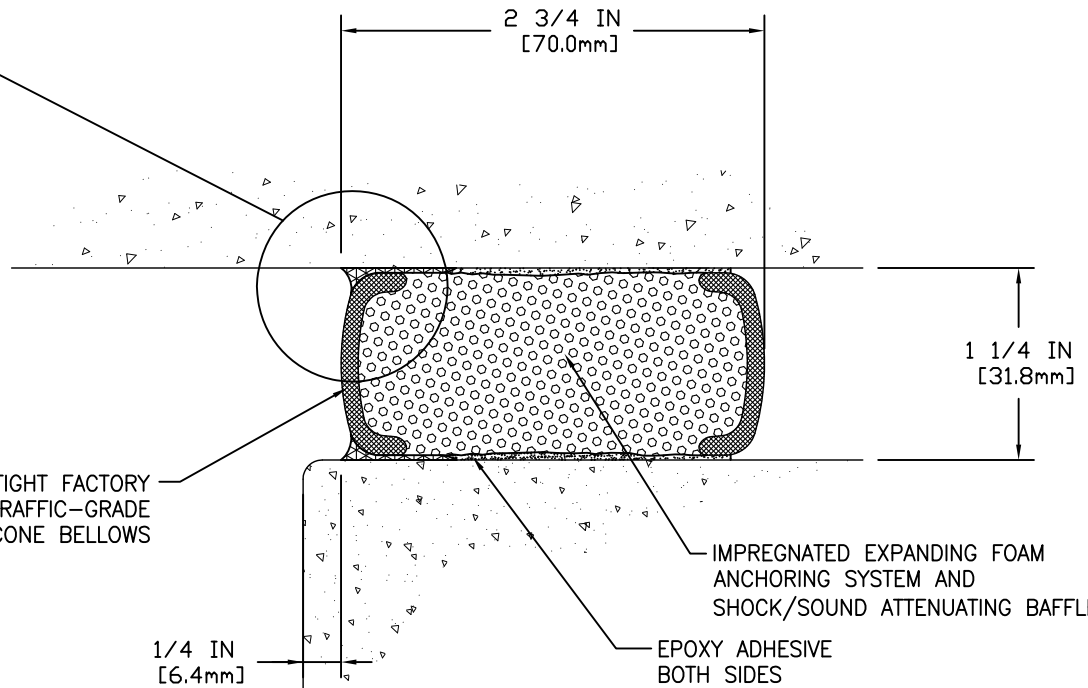


FIELD APPLIED MIN. 3/4 IN (19.1mm)
 DEEP INJECTED SEALANT BAND AND CORNER
 BEAD ALONG SIDE OF DSM AS SHOWN - BOTH SIDES
 (SILICONE SUPPLIED BY EMSEAL)



MOVEMENT: ±50%
 + 5/8 IN (16mm)
 - 5/8 IN (16mm)

EMSEAL JOINT SYSTEMS LTD.

1 1/4 INCH DSM-DS - WALL TO WALL INSIDE CORNER BELOW GRADE

THIS DOCUMENT CONTAINS INFORMATION OF A CONFIDENTIAL NATURE AND IS PROPRIETARY TO EMSEAL JOINT SYSTEMS LTD. ANY UNAUTHORIZED USE WILL BE PROSECUTED. THIS DRAWING IS PROTECTED BY COPYRIGHT, THE RIGHT TO REPRODUCE IN ANY FORM BEING THE EXCLUSIVE RIGHT OF EMSEAL JOINT SYSTEMS LTD. ANY UNAUTHORIZED REPRODUCTION WHETHER IN TWO OR THREE DIMENSIONS WILL BE PROSECUTED. © 2014 EMSEAL JOINT SYSTEMS LTD.

DRAWN BY: SPA	DATE: 2015/08/20	SCALE: N.T.S.	SHEET No: 1 OF 1
------------------	---------------------	------------------	---------------------

PART NUMBER:
 DSM_DS_0125_WW_IC_CONC_BELOW_GRADE