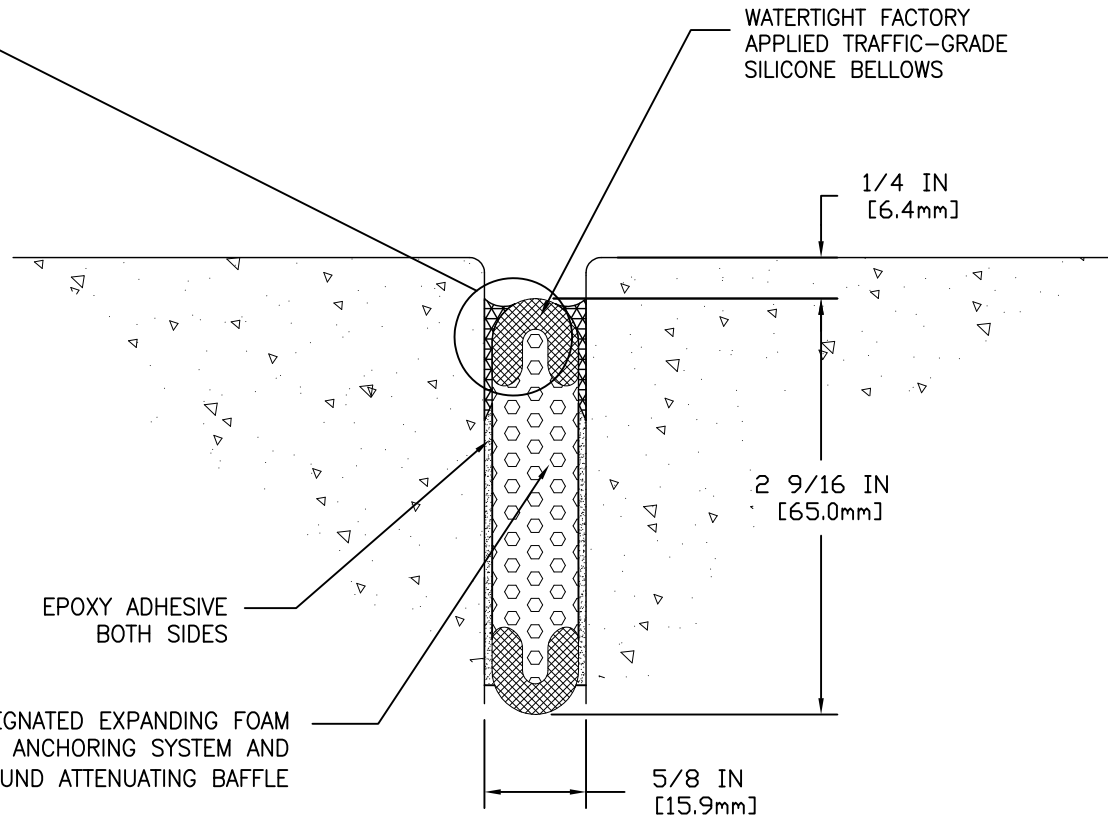


FIELD APPLIED MIN. 3/4 IN (19.1mm)
DEEP INJECTED SEALANT BAND AND CORNER
BEAD ALONG SIDE OF DSM AS SHOWN - BOTH SIDES
(SILICONE SUPPLIED BY EMSEAL)



WATERTIGHT FACTORY
APPLIED TRAFFIC-GRADE
SILICONE BELLOWS

1/4 IN
[6.4mm]

2 9/16 IN
[65.0mm]

EPOXY ADHESIVE
BOTH SIDES

IMPREGNATED EXPANDING FOAM
ANCHORING SYSTEM AND
SHOCK/SOUND ATTENUATING BAFFLE

5/8 IN
[15.9mm]

MOVEMENT: ±50%
+ 5/16 IN (8mm)
- 5/16 IN (8mm)

EMSEAL JOINT SYSTEMS LTD.

5/8 INCH DSM-DS - DECK TO DECK

THIS DOCUMENT CONTAINS INFORMATION OF A CONFIDENTIAL NATURE AND IS PROPRIETARY TO EMSEAL JOINT SYSTEMS LTD. ANY UNAUTHORIZED USE WILL BE PROSECUTED. THIS DRAWING IS PROTECTED BY COPYRIGHT, THE RIGHT TO REPRODUCE IN ANY FORM BEING THE EXCLUSIVE RIGHT OF EMSEAL JOINT SYSTEMS LTD. ANY UNAUTHORIZED REPRODUCTION WHETHER IN TWO OR THREE DIMENSIONS WILL BE PROSECUTED. © 2014 EMSEAL JOINT SYSTEMS LTD.

DRAWN BY: SPA	DATE: 2015/08/20	SCALE: N.T.S.	SHEET No: 1 OF 1
------------------	---------------------	------------------	---------------------

PART NUMBER:
DSM_DS_0063_DD_CONC