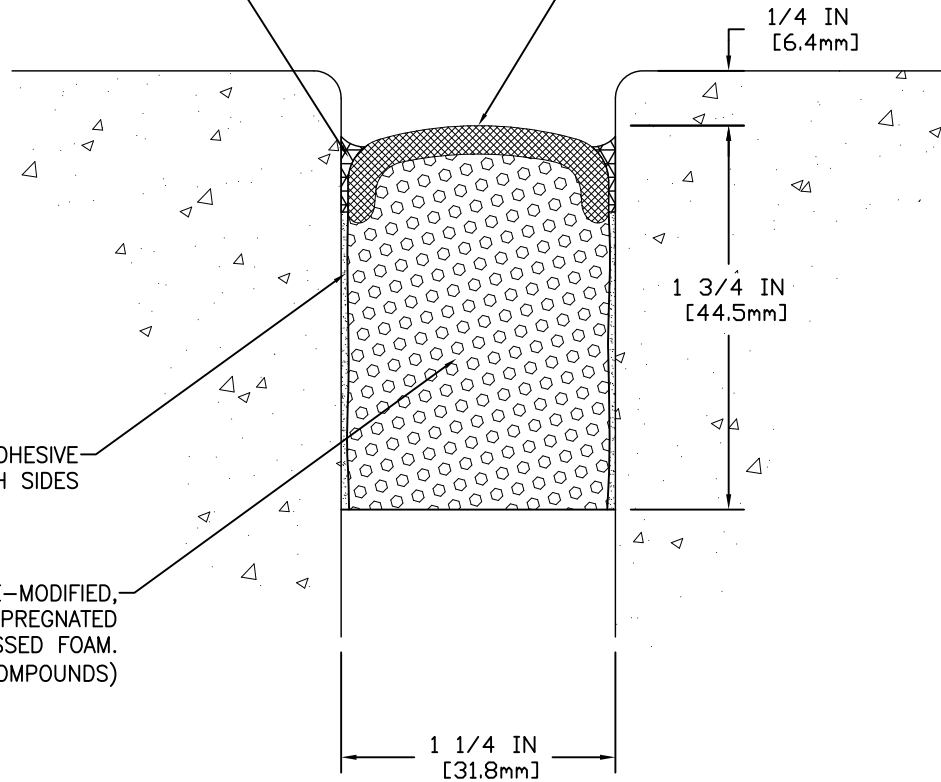


FIELD APPLIED CORNER
BEAD ALONG SIDE OF COH AS SHOWN - BOTH SIDES
(SILICONE SUPPLIED BY EMSEAL)

WATERTIGHT FACTORY APPLIED
SILICONE BELLOWS

EPOXY ADHESIVE
BOTH SIDES

MICROSPHERE-MODIFIED,
100% ACRYLIC-IMPREGNATED
PRE COMPRESSED FOAM.
(CONTAINS NO WAX OR WAX COMPOUNDS)



MOVEMENT: ±50%
+ 5/8 IN (16mm)
- 5/8 IN (16mm)

EMSEAL JOINT SYSTEMS LTD.

1 1/4 INCH HORIZONTAL COLORSEAL - DECK TO DECK

THIS DOCUMENT CONTAINS INFORMATION OF A CONFIDENTIAL NATURE AND IS PROPRIETARY TO EMSEAL JOINT SYSTEMS LTD. ANY UNAUTHORIZED USE WILL BE PROSECUTED. THIS DRAWING IS PROTECTED BY COPYRIGHT, THE RIGHT TO REPRODUCE IN ANY FORM BEING THE EXCLUSIVE RIGHT OF EMSEAL JOINT SYSTEMS LTD. ANY UNAUTHORIZED REPRODUCTION WHETHER IN TWO OR THREE DIMENSIONS WILL BE PROSECUTED. © 2014 EMSEAL JOINT SYSTEMS LTD.

DRAWN BY: SWR	DATE: 2016/01/06	SCALE: N.T.S.	SHEET No: 1 OF 1
------------------	---------------------	------------------	---------------------

PART NUMBER:
COH_0125_DD_CONC