

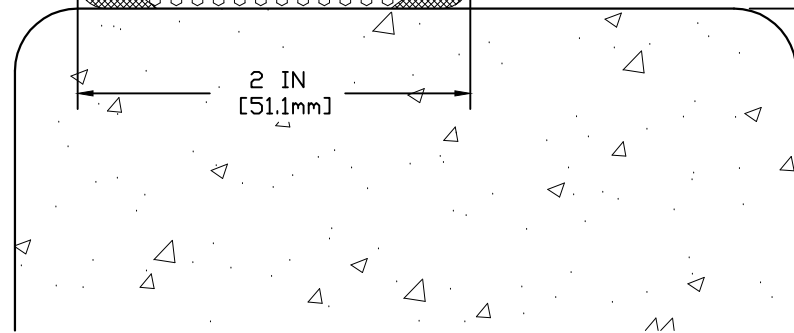
FIRE-RETARDANT-ACRYLIC-INFUSED FOAM

FACTORY APPLIED SILICONE FACING

SILICONE EDGE FIELD-TUCKED AT SUBSTRATE(S) TO PRESERVE SMOOTH FACE

3 1/2 IN
[88.9mm]

2 IN
[51.1mm]



EMSEAL JOINT SYSTEMS LTD.

QUIETJOINT AT CONCRETE TO GLASS

THIS DOCUMENT CONTAINS INFORMATION OF A CONFIDENTIAL NATURE AND IS PROPRIETARY TO EMSEAL JOINT SYSTEMS LTD. ANY UNAUTHORIZED USE WILL BE PROSECUTED. THIS DRAWING IS PROTECTED BY COPYRIGHT, THE RIGHT TO REPRODUCE IN ANY FORM BEING THE EXCLUSIVE RIGHT OF EMSEAL JOINT SYSTEMS LTD. ANY UNAUTHORIZED REPRODUCTION WHETHER IN TWO OR THREE DIMENSIONS WILL BE PROSECUTED. © 2014 EMSEAL JOINT SYSTEMS LTD.

DRAWN BY: ORK	DATE: 2016/11/10	SCALE: N.T.S.	SHEET No: 1 OF 1
------------------	---------------------	------------------	---------------------

PART NUMBER:
SHG_0350_WW_CONC_TO_GLASS_INSIDE_CORNER