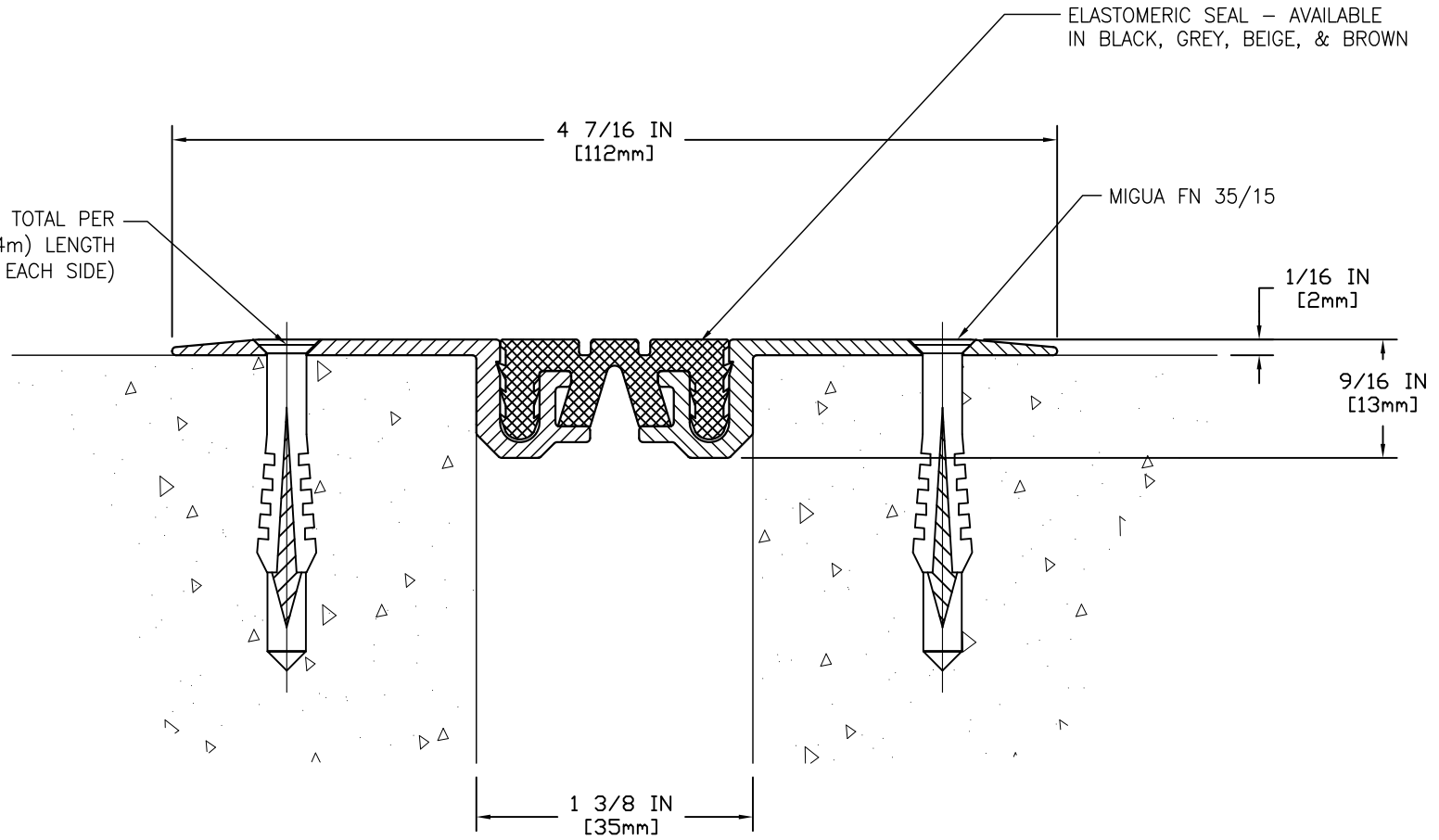


30 ANCHORS TOTAL PER  
13.12 LF (4m) LENGTH  
(15 ANCHORS EACH SIDE)



ELASTOMERIC SEAL — AVAILABLE  
IN BLACK, GREY, BEIGE, & BROWN

MIGUA FN 35/15

1/16 IN  
[2mm]

9/16 IN  
[13mm]

4 7/16 IN  
[112mm]

1 3/8 IN  
[35mm]

MOVEMENT: + 3/16 IN (5mm)  
- 3/16 IN (5mm)

# EMSEAL JOINT SYSTEMS LTD.

## MIGUA FN 35/15 INTERIOR JOINT

THIS DOCUMENT CONTAINS INFORMATION OF A CONFIDENTIAL NATURE AND IS PROPRIETARY TO EMSEAL JOINT SYSTEMS LTD. ANY UNAUTHORIZED USE WILL BE PROSECUTED. THIS DRAWING IS PROTECTED BY COPYRIGHT, THE RIGHT TO REPRODUCE IN ANY FORM BEING THE EXCLUSIVE RIGHT OF EMSEAL JOINT SYSTEMS LTD. ANY UNAUTHORIZED REPRODUCTION WHETHER IN TWO OR THREE DIMENSIONS WILL BE PROSECUTED. © 2014 EMSEAL JOINT SYSTEMS LTD.

DRAWN BY: JNM	DATE: 2014/06/18	SCALE: N.T.S.	SHEET No: 1 OF 1
------------------	---------------------	------------------	---------------------

PART NUMBER: FN-35-15\_DD