



System # WW-D-1081  
System # JF132

FIELD-APPLIED MIN. 3/4-INCH (19.1mm) DEEP INJECTED SEALANT BAND AND CORNER BEAD ALONG SIDE OF WFR2 AS SHOWN - BOTH SIDES (SILICONE SUPPLIED BY EMSEAL)

3 5/8" WIDE STEEL STUDS  
MAX SPACING 24" O.C.

4 IN  
[101.6mm]

APP. 3/4 IN  
[19.1mm]

1/4 IN  
[6.4mm]

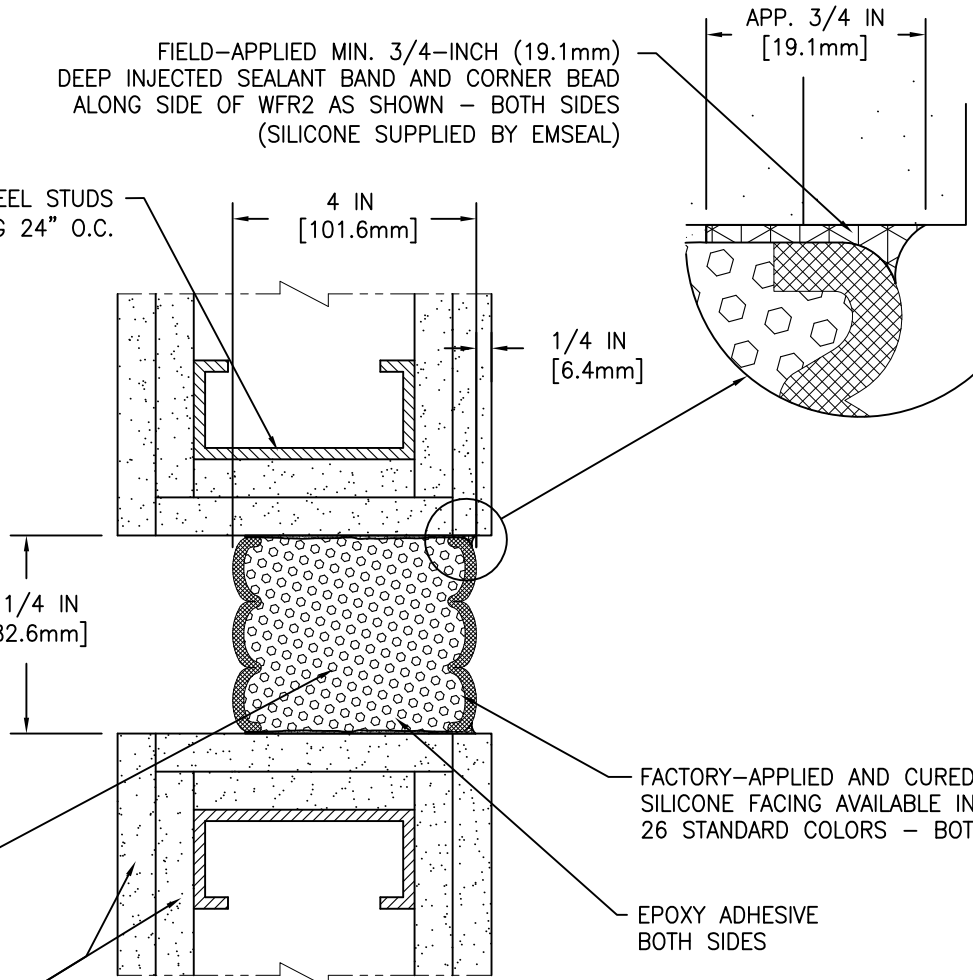
3 1/4 IN  
[82.6mm]

EMSHIELD WFR2  
FIRE-RETARDANT  
IMPREGNATED FOAM

FACTORY-APPLIED AND CURED  
SILICONE FACING AVAILABLE IN  
26 STANDARD COLORS - BOTH SIDES

EPOXY ADHESIVE  
BOTH SIDES

5/8" GYPSUM WALLBOARD  
INSTALLED TO A MIN TOTAL THICKNESS  
OF 1 1/4" ON EACH SIDE OF WALL AND  
ON EACH STUD FACE WITHIN JOINT OPENING



MOVEMENT: ±50% (TOTAL 100%) OF NOMINAL MATERIAL SIZE

EMSEAL'S EMSHIELD WFR2 HAS BEEN TESTED IN ACCORDANCE WITH UL 2079 IN THE CONFIGURATION DEPICTED IN SYSTEM # WW-D-1081. USE OF THIS MATERIAL IN WALL ASSEMBLY CONFIGURATIONS OTHER THAT DEPICTED IN UL SYSTEM # WW-D-1081 WILL NOT ENCUMBER OR LOWER THE RESISTANCE OF THE WALL BUT IS DONE SO AT THE DESIGNERS' DISCRETION AND RESPONSIBILITY FOR DESIGN OF A FIRE RATED WALL ASSEMBLY THAT MEETS APPLICABLE STANDARDS FOR THE PROJECT AND WHICH ADDITIONALLY IS CAPABLE OF RESISTING THE APPROXIMATELY 2.5 PSI (120 LBS PER FOOT OF JOINT BASED ON 4-INCH DEPTH OF SEAL) BACKPRESURE OF THE WFR2 MATERIAL.

## EMSEAL JOINT SYSTEMS LTD.

### EMSHIELD WFR2-0325 WALL TO WALL GYPSUM STEEL STUDS

THIS DOCUMENT CONTAINS INFORMATION OF A CONFIDENTIAL NATURE AND IS PROPRIETARY TO EMSEAL JOINT SYSTEMS LTD. ANY UNAUTHORIZED USE WILL BE PROSECUTED. THIS DRAWING IS PROTECTED BY COPYRIGHT, THE RIGHT TO REPRODUCE IN ANY FORM BEING THE EXCLUSIVE RIGHT OF EMSEAL JOINT SYSTEMS LTD. ANY UNAUTHORIZED REPRODUCTION WHETHER IN TWO OR THREE DIMENSIONS WILL BE PROSECUTED. © 2014 EMSEAL JOINT SYSTEMS LTD.

DRAWN BY:	DATE:	SCALE:	SHEET
JNM	2015/06/22	N.T.S.	No: 1 OF 1

PART NUMBER:  
WFR2\_0325\_WW\_GYP\_STEEL\_STUDS