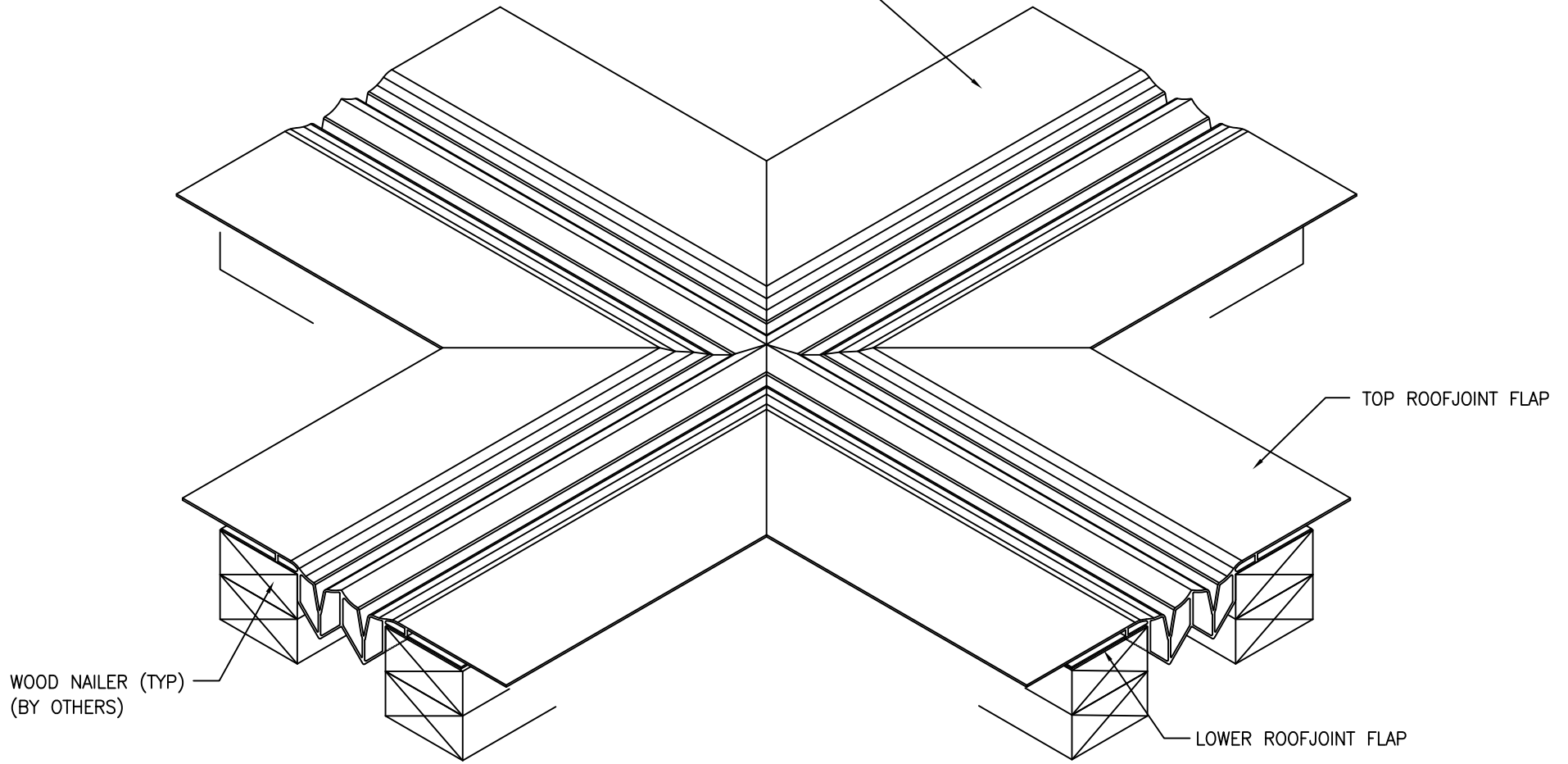


ROOFJOINT 0400 (BY EMSEAL)



NOTE:  
- WOOD NAILER TO BE INSTALLED TO MEET APPLICABLE BUILDING CODES AS WELL AS PROJECT SPECIFIC DEMANDS AS SPECIFIED BY PROJECT ENGINEER.

# EMSEAL JOINT SYSTEMS LTD.

## EMSEAL ROOFJOINT 0400 - CROSS TRANSITION

THIS DOCUMENT CONTAINS INFORMATION OF A CONFIDENTIAL NATURE AND IS PROPRIETARY TO EMSEAL JOINT SYSTEMS LTD. ANY UNAUTHORIZED USE WILL BE PROSECUTED. THIS DRAWING IS PROTECTED BY COPYRIGHT, THE RIGHT TO REPRODUCE IN ANY FORM BEING THE EXCLUSIVE RIGHT OF EMSEAL JOINT SYSTEMS LTD. ANY UNAUTHORIZED REPRODUCTION WHETHER IN TWO OR THREE DIMENSIONS WILL BE PROSECUTED. © 2014 EMSEAL JOINT SYSTEMS LTD.

DRAWN BY: JDO	DATE: 2014/05/30	SCALE: N.T.S.	SHEET No: 1 OF 1
------------------	---------------------	------------------	---------------------

PART NUMBER:  
RJ-0400-DD-CROSS-TRANS