

Warranty:

EMSEAL Joint Systems, Ltd. warrants the BG SYSTEM to be free of defects in workmanship-in-manufacture and materials only at the time of shipment from our factory. If any BG SYSTEM materials are proven to contain manufacturing defects that substantially affect their performance, EMSEAL will, at its option, replace the materials or refund its purchase price.

This limited warranty is the only warranty extended by EMSEAL with respect to the BG SYSTEM. There are no other warranties, including the implied warranties of merchantability or fitness for a particular purpose. EMSEAL specifically disclaims liability for any incidental, consequential, or other damages, including but not limited to, loss of profits or damages to a structure or its contents arising under any theory of law whatsoever.

Availability & Price

EMSEAL products are available throughout the United States and Canada. Prices are available from local representatives or direct from the manufacturer. The EMSEAL product range is continually being updated. Accordingly, we reserve the right to modify or withdraw any product without prior notice.

INSTALLATION--GENERAL:

There are basically three blindside installation conditions that will be described in this guide.

- 1) On the underside of the floor-slab (on top of a mud slab) of a foundation or tunnel with freestanding walls
- 2) Under the floor-slab AND on the walls of a blind-side formed (lagging retaining system) foundation or tunnel.
- 3) On the walls only of a blind-side formed (lagging retaining system) foundation (no joint in floor slab).

IMPORTANT:

The BG SYSTEM with this installation is not for use on freestanding walls where access to the wall is available. For these conditions install BG with positive-side installation instructions.

IMPORTANT:

The BG SYSTEM will not perform its intended function if installed on rough and irregular surfaces. Substrates similar to rock, earth, chain-link retaining mesh, etc. that are not lagging ARE NOT acceptable substrates for the BG SYSTEM. In addition, the use of drainage board as a means to smooth irregular surfaces is not acceptable. If drainage board is specified, the substrate that will support the drainage board must be smooth, lagged walls.

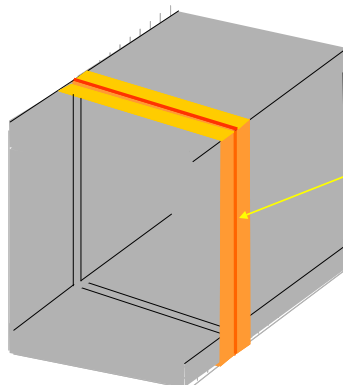
SUMMARY:

There are several basic principles that apply throughout the use of the BG SYSTEM.

- 1) The waterproofing membrane shall have been determined by the manufacturer of the membrane to be compatible with and have a proven method by which to adhere positively

and permanently to the BG SYSTEM material of manufacture.

- 2) The waterproofing membrane shall be installed continuously across the mud-slab and/or lagging walls.
- 3) A continuous strip of waterproofing membrane will be centered over the position of the expansion joint on the wall and/or floor slab;
- 4) The BG SYSTEM double-level side sheets shall be installed without any folds, "fish-mouths" or wrinkles, into a wet waterproofing membrane mastic suitable to adhering the BG SYSTEM double-level side sheets to the waterproofing membrane. The waterproofing membrane mastic is to be applied to a width wider than the longer of the BG SYSTEM double-level flashing sheets by at least 2" (50 mm). The waterproofing membrane mastic is to be applied both below the longer of the BG SYSTEM double-level flashing sheets as well as above the longer of the BG SYSTEM double-level flashing sheets so as to completely encapsulate the BG SYSTEM double-level flashing sheets.
- 5) All BG SYSTEM double-level flashing sheet transitions from floor to wall must be fully encapsulated (above and below) in waterproofing membrane mastic.
- 6) The longer of the BG SYSTEM double-level flashing sheets and wet waterproofing membrane mastic shall be covered by another full-width strip of waterproofing membrane on each side of the belly under the shorter of the BG System double-level flashing sheet.
- 7) The entire BG SYSTEM/waterproofing membrane sandwich shall be clamped into place using EMSEAL supplied termination bar and protruding-head anchors through the shorter of the double-level flashing sheet.
- 8) BG SYSTEM/waterproofing membrane sandwich shall have concrete cast directly against it.
- 9) The BG SYSTEM shall transition into the MIGUTAN plaza deck joint system on the roof slab or shall be suitably transitioned into the above-grade wall joint system in the building face.
- 10) The ultimate objective is to ensure continuity of seal around the complete structure as shown below:



In this typical tunnel application, BG is used under the slab and up the blind-side formed walls. At the transition above the blind-side walls, BG wraps over the roof in softscapes or joins to MIGUTAN on the freestanding walls and across the roof or plaza deck in hardscape wear courses.

EQUIPMENT LIST

(In addition to normal tools of the trade and safety equipment, as well as tools and materials required by the manufacturer of the waterproofing membrane, the following materials and equipment must be on-site before installation can begin):

For Preparing and Drilling Mud-Slab Concrete

- 4-inch angle grinder(s) with diamond cup blade(s)
- minimum 2 ea - Hammer drills with depth guides
- minimum 6 ea - Hammer drill bits, 3/16-inch (5 mm) diameter, suitable for masonry/concrete
- Generator, fuel, and accessories or access to reliable high-amperage power source

For Cutting Termination Bar

- hacksaw

For Driving Screws

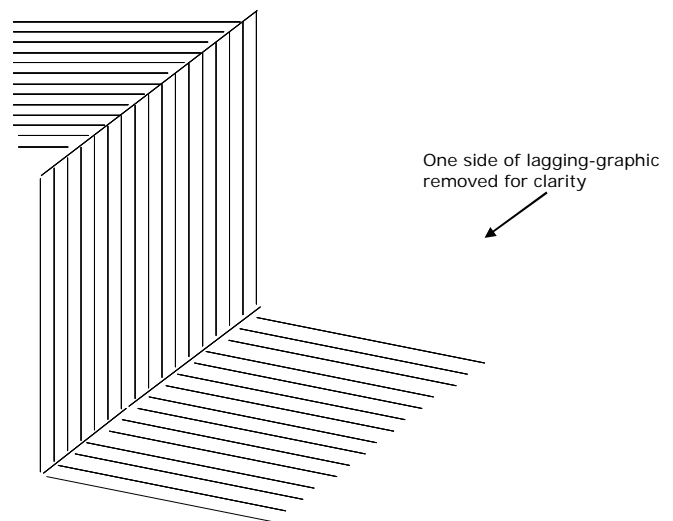
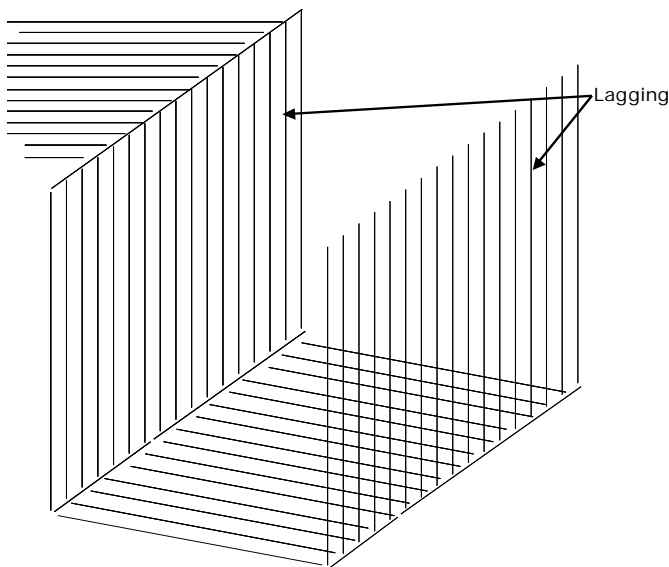
- Electric drill/driver. (minimum 14.4 volt cordless works well)
- minimum 6 ea - #3 screw-gun bits

Other Miscellaneous Tools and Materials

- 100-foot (30 meter) tape measure (or length to suit project)
- chalk box with chalk
- Flat bar and small pry bar
- 5-gal pail of Acetone* for cleaning joint-faces, trowels and mixer tools
- box of clean, dry, lint-free, cloth (not paper) rags
- extension cords with 4-way box

INSTALLATION:

STEP 1: Unroll Sealing Gland and Prepare Floor and Wall Surfaces



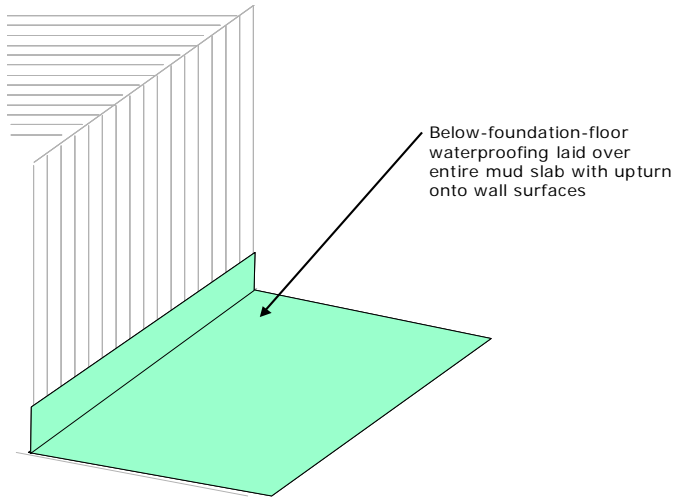
IMPORTANT: The BG SYSTEM installation explained in this sheet is not for use on freestanding walls where access to the wall is available. Where access to the positive side of the wall is available BG is installed in accordance to positive-side installation instructions.

Unroll the sealing gland belly-side up in a clean open space to allow the rubber to relax from its coiled shipping state. Prepare concrete surfaces as required by the waterproofing membrane manufacturer.

Note: If drainage board is specified to be installed against the lagging or shot-crete wall, install it first in accordance with the instructions of the waterproofing manufacturer and/or drainage board manufacturer as applicable.

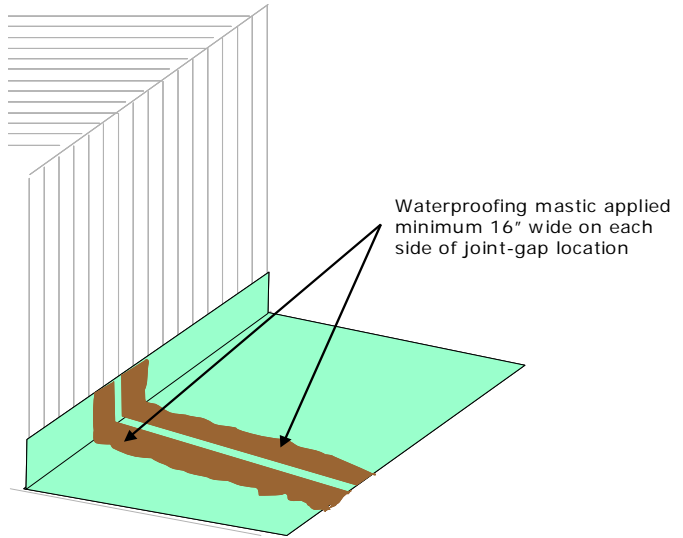
IMPORTANT: Using drainage board as a means to creating a smooth substrate is NOT ACCEPTABLE. The surfaces that will support the drainage board must be smooth, lagged walls.

STEP 2: Install Waterproofing Membrane on Mud-Slab and Wall Upturn



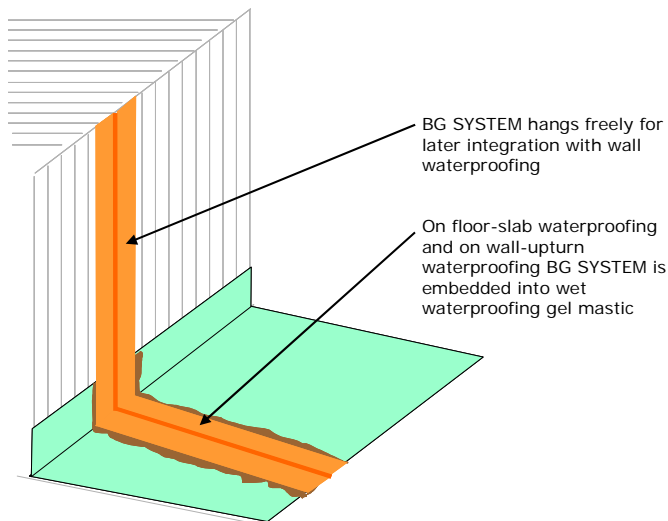
Install waterproofing membrane over entire mud slab with an appropriate upturn onto wall surfaces in accordance with waterproofing membrane manufacturer's procedure.

STEP 3: Apply Waterproofing Membrane Adhesive Mastic



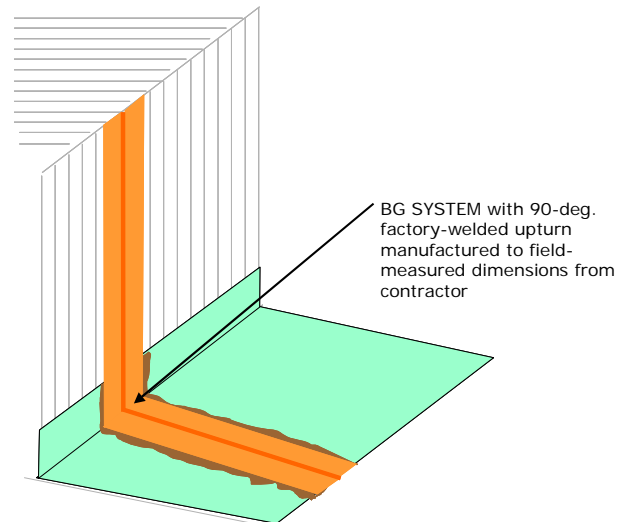
Apply waterproofing membrane adhesive mastic onto the waterproofing membrane on the floor and wall-upturn on each side of joint-gap location.

STEP 4: Clean Underside of BG and Install BG into Wet Waterproofing Membrane Mastic



Clean the underside of the BG SYSTEM side sheets using solvent and clean lint-free, 100% cotton rags

Note: Hang BG SYSTEM for walls freely for later integration with the waterproofing membrane to be installed on the walls.

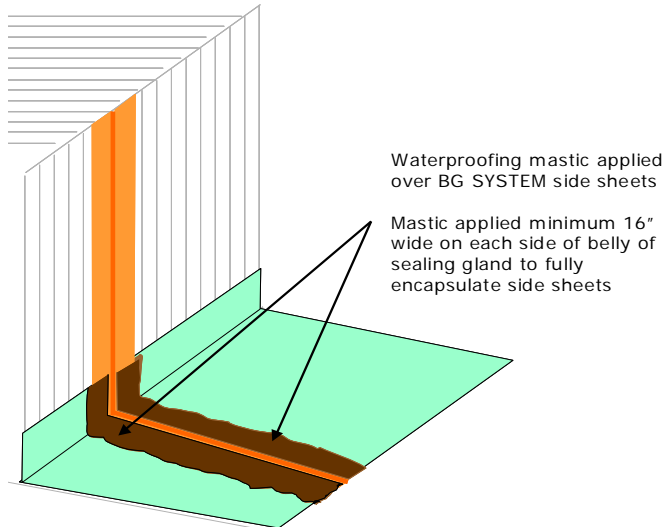


Install the BG SYSTEM so that the belly of the gland is centered over the joint-gap location.

Press or roll the BG SYSTEM flashing sheets firmly into the wet waterproofing membrane adhesive mastic being sure that outside corner of the upturn is also firmly embedded in the waterproofing membrane adhesive mastic.

Note: 90° transitions to the vertical are shipped as factory-welded upturns manufactured to field-measured dimensions by contractor. Ensure that these upturns have been ordered and delivered and are on site before starting installation.

STEP 5: Apply Mastic Over Top of the Longer BG Side Sheets



Waterproofing mastic applied over BG SYSTEM side sheets

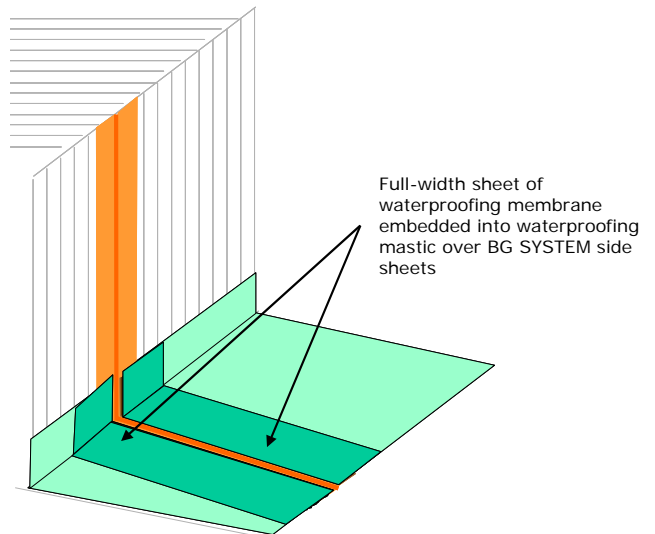
Mastic applied minimum 16" wide on each side of belly of sealing gland to fully encapsulate side sheets

Clean the exposed longer side of the BG SYSTEM double-level side sheets with acetone and clean, lint-free rags.

Apply waterproofing membrane mastic over the exposed longer but under the shorter of the 2 sides of BG double-level side sheets to fully encapsulate them.

Note: Mastic applied minimum 16" wide on each side of belly of sealing gland to fully encapsulate side sheets

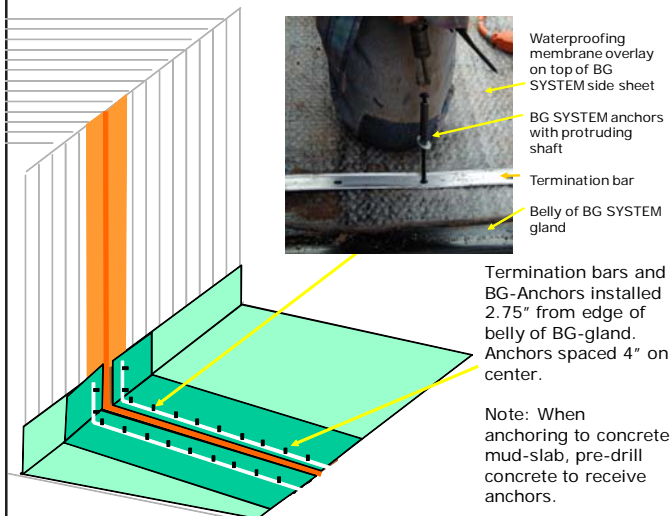
STEP 6: Apply Full-Width Sheet of Waterproofing Membrane Over Mastic and BG



Full-width sheet of waterproofing membrane embedded into waterproofing mastic over BG SYSTEM side sheets

Roll out full-width sheet of waterproofing membrane into wet waterproofing membrane mastic on top of BG SYSTEM side sheets.

STEP 7: Install Termination Bar and Anchors



Waterproofing membrane overlay on top of BG SYSTEM side sheet

BG SYSTEM anchors with protruding shaft

Termination bar

Belly of BG SYSTEM gland

Termination bars and BG-Anchors installed 2.75" from edge of belly of BG-gland. Anchors spaced 4" on center.

Note: When anchoring to concrete mud-slab, pre-drill concrete to receive anchors.

Install termination bars on both sides of the belly of the BG-gland with BG-Anchors spaced 2.75-inches (70 mm) from edge of belly of BG-gland.

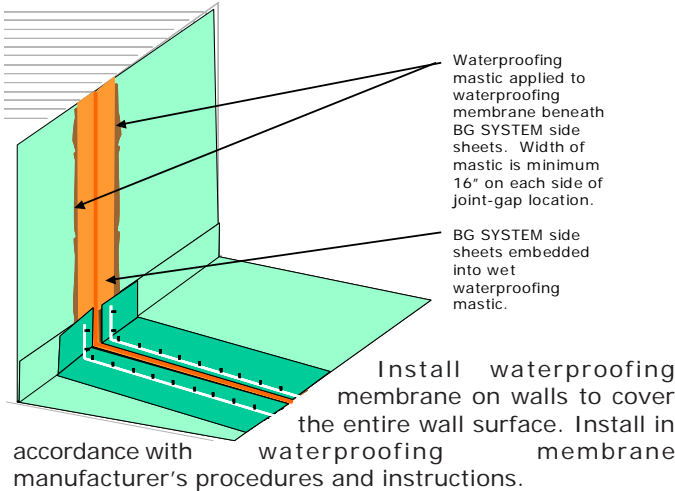
Screw anchor bolts through pre-drilled holes in termination bar.

Note: When anchoring to concrete, predrill concrete using 3/16-inch (5 mm) diameter, concrete drill bit to receive anchors.

STEP 8: If Applicable: Field-weld BG to Positive-side BG or MIGUTAN FP1 10/25 on Freestanding Walls

Note: If transitioning from underslab to freestanding walls (to be cast later), leave a free length of BG for welding to the BG positive-side sheets or MIGUTAN FP110/25 gland and side sheets on freestanding wall.

STEP 9: Install Waterproofing Membrane on Walls & Apply Mastic Beneath BG Side Sheets

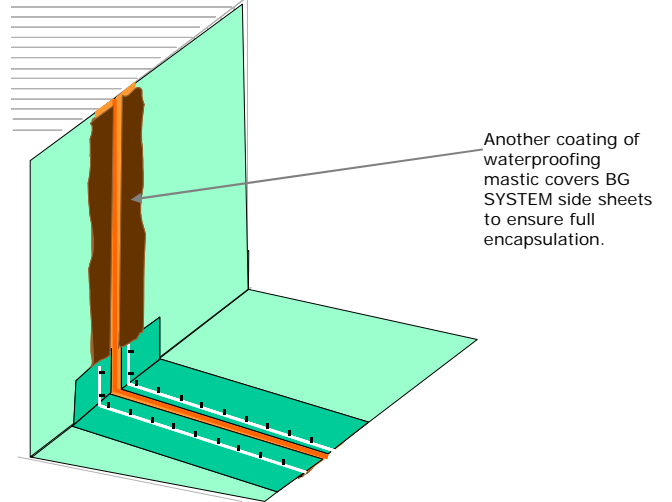


Note: Ensure that a full-width sheet of waterproofing membrane is installed centered over the centerline of the expansion joint location. If a seam between previously installed waterproofing membrane is within 2-feet of the expansion joint centerline, then install another full sheet of waterproofing membrane centered over the expansion joint centerline.

Apply waterproofing membrane adhesive mastic to the waterproofing membrane beneath the longer of the BG double-level side sheets on wall. Width of waterproofing membrane adhesive mastic to be such that it extends a minimum of 2-inches (50 mm) beyond the edge of the longer flashing sheet (approximately 16-inches (410 mm) total) each side of joint-gap location.

Firmly embed longer of the BG SYSTEM's double-level side sheets into wet waterproofing membrane mastic by pressing or rolling.

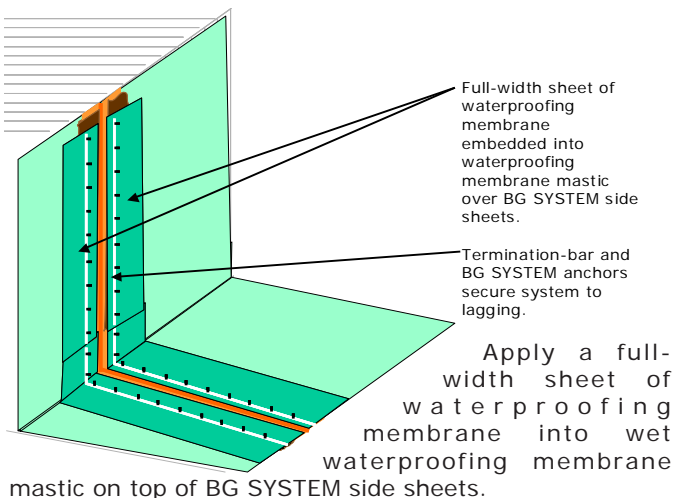
STEP 10: Apply Mastic Over Exposed Surface of BG Side Sheets on Walls



Clean the exposed upper side of the BG SYSTEM side sheets with solvent and clean, lint-free rags to remove all dirt, debris and other contaminants.

Apply another coating of waterproofing membrane adhesive mastic over the top of the longer of the BG SYSTEM's double-level side sheets to ensure full encapsulation.

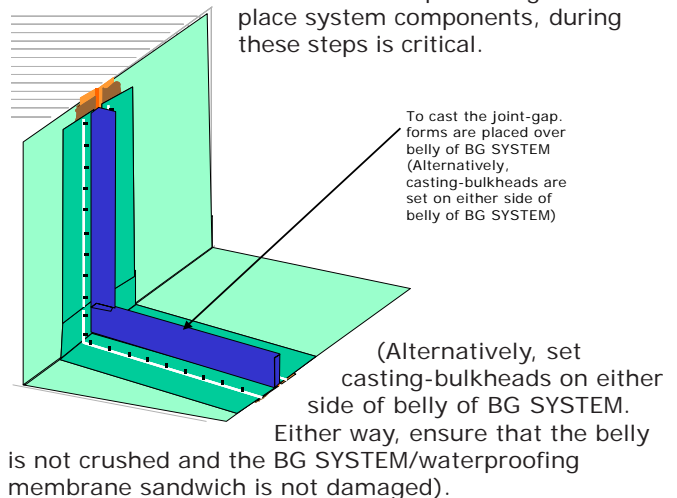
STEP 11: Apply Waterproofing Membrane over Mastic and BG and Install Termination Bar and BG-Anchors



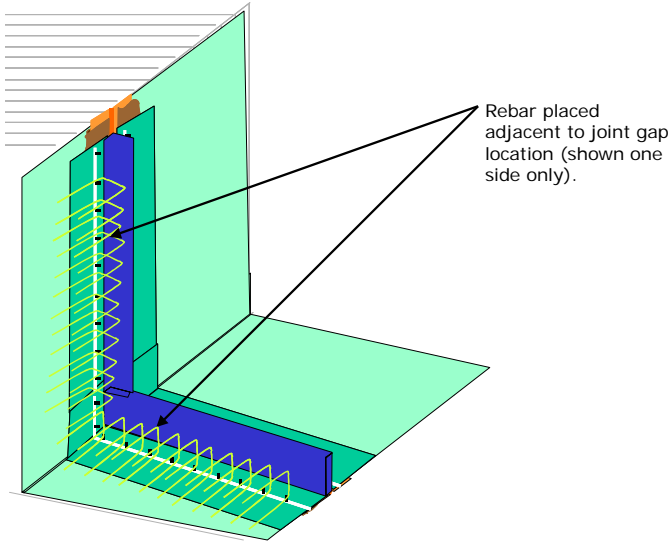
Install termination-bar and BG SYSTEM anchors to lagging. Note: In lagging, screws can be driven without predrilling. To cast the joint-gap, suspend forms over belly of BG SYSTEM.

STEP 12: Set Forms or Bulkheads to Cast Joint-Gaps

IMPORTANT: Steps 12 through 16 are usually the responsibility of the General Contractor or Concrete Sub-Contractor and may be job specific and may vary. Coordination with the waterproofing subcontractor for completion of the BG SYSTEM installation, as well as the actions of GC in protecting the in-place system components, during these steps is critical.



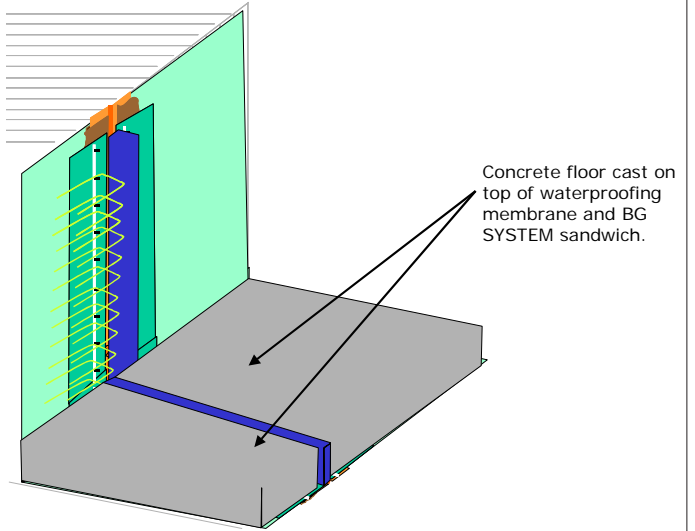
STEP 13: Set Rebar Adjacent to Forms as Required



Place rebar adjacent to joint gap location as required.

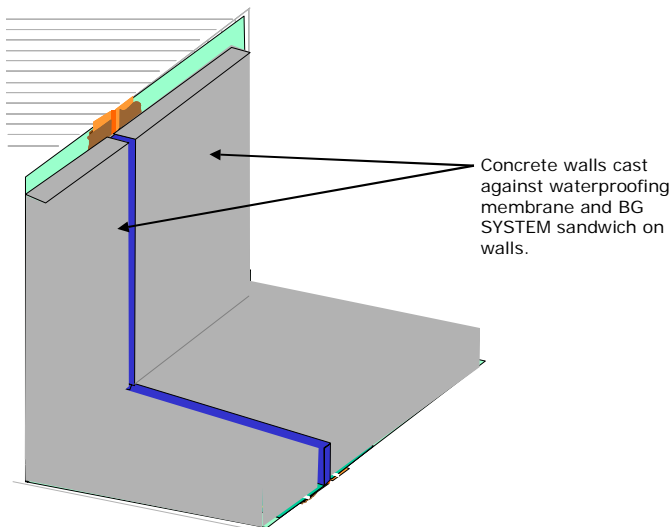
IMPORTANT: Rebar installation and concrete placing schedules vary from project to project. The principles of installation and protection of the BG SYSTEM and waterproofing membrane system must be understood and respected by all trades regardless of schedule.

STEP 14: Place Concrete for Floor Slabs



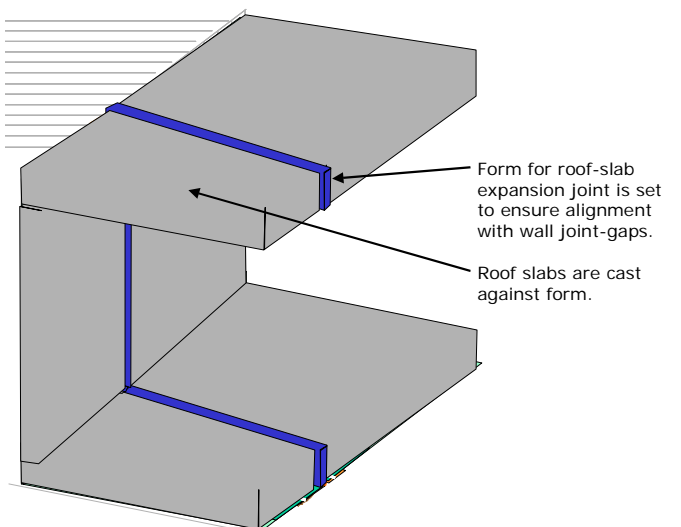
Cast concrete floor on top of waterproofing membrane and BG SYSTEM sandwich.

STEP 15: Place Concrete for Wall Slabs



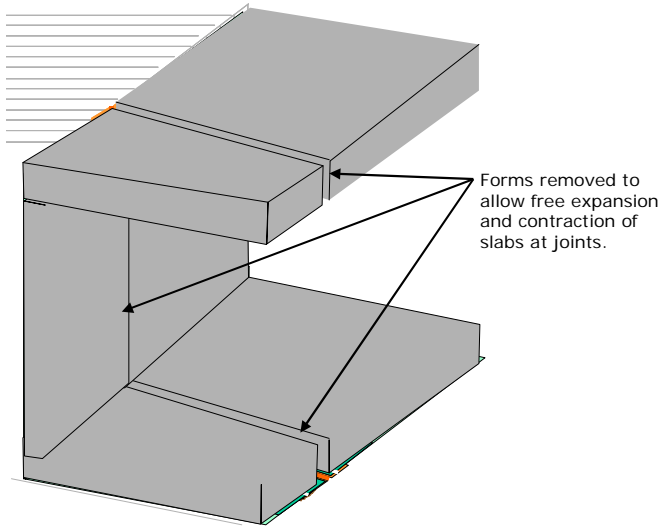
Cast concrete walls against waterproofing membrane and BG SYSTEM sandwich on walls.

STEP 16: Align Roof Joint-Gap Forms and Place Concrete for Roof Slabs



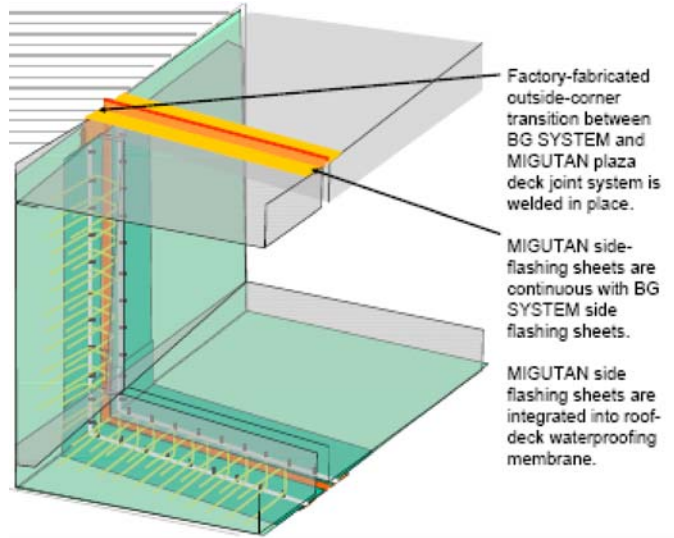
Set form for roof-slab expansion joint to ensure alignment with wall joint-gaps.

STEP 17: Remove Joint-Gap Forms



Remove forms from joint-gaps to allow free expansion and contraction of slabs at joints.

STEP 18: Weld BG into MIGUTAN on Roof



Field-weld the factory-fabricated outside-corner transition between BG SYSTEM and MIGUTAN plaza deck joint system.

Install the MIGUTAN plaza deck joint system in accordance with complete MIGUTAN installation instructions available from EMSEAL.

IMPORTANT: If there is no joint in the foundation floor slab, AND wall and foundation waterproofing wraps the entire structure, AND the BG SYSTEM is being installed against the blind side walls only, then the BG SYSTEM installed into wall joints and encapsulated into waterproofing sandwich must extend beyond the finished (interior) floor slab elevation and well into drainage course. If this is not done, any water collected by the BG SYSTEM could be funneled into the structure at the wall to floor-slab connection.

Note:

