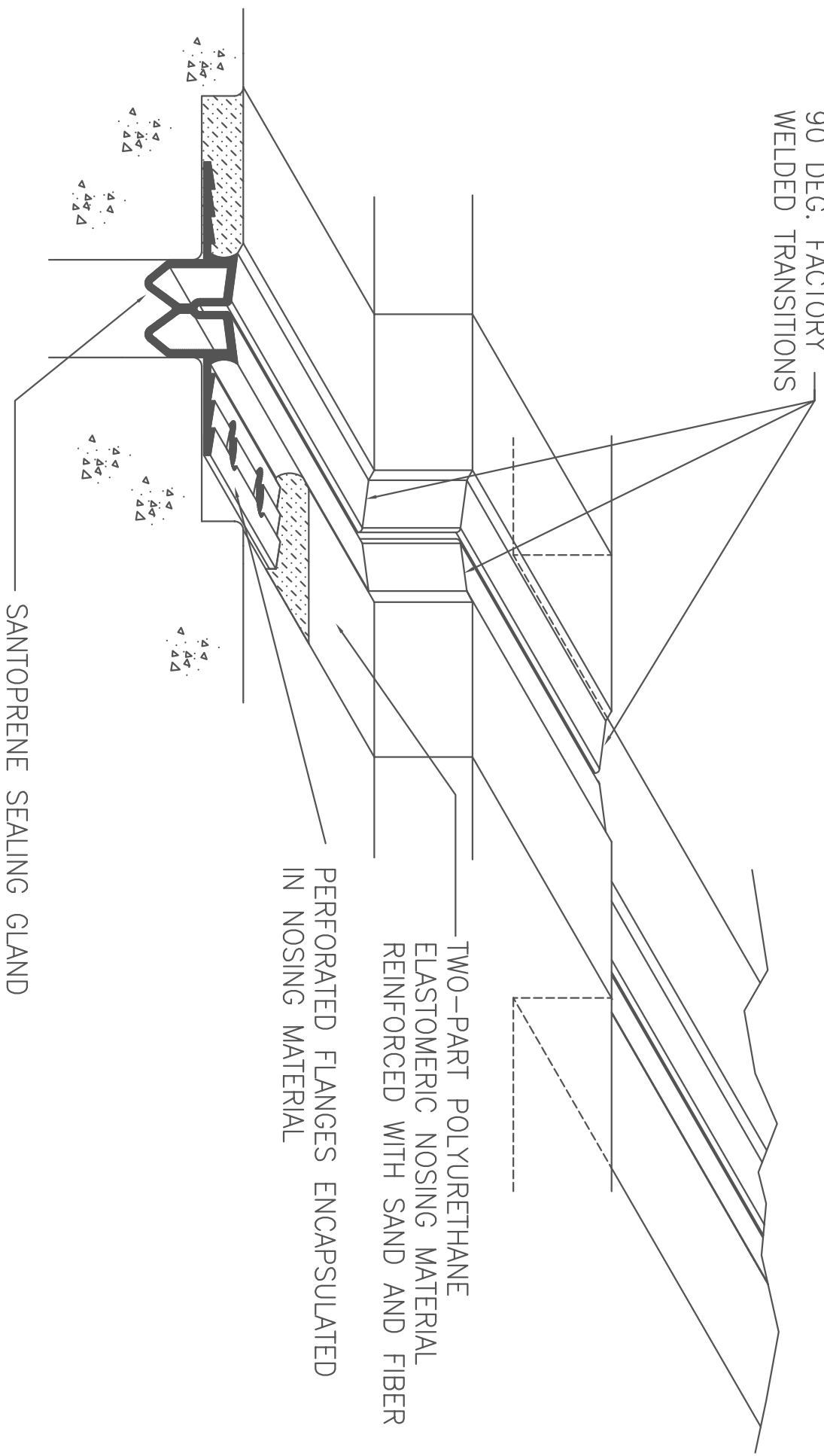


90 DEG. FACTORY  
WELDED TRANSITIONS



TWO-PART POLYURETHANE  
ELASTOMERIC NOSING MATERIAL  
REINFORCED WITH SAND AND FIBER

PERFORATED FLANGES ENCAPSULATED  
IN NOSING MATERIAL

SANTOPRENE SEALING GLAND

CD-ROM VERSION 3 FILENAME: DblCurbTrans

**EMSEAL JOINT SYSTEMS LTD.**

THERMAFLEX TM SERIES -- DOUBLE CURB TRANSITION

Copyright 1995, by EMSEAL  
Joint Systems, Ltd. All rights  
reserved.

DRAWN	DATE:	SCALE:	DRAWING
BY: WAJ	2/5/97	N.T.S.	No:
PART NUMBER:	007-0-02-00		

C:\SERVER\DETAILS\THERM\TM\