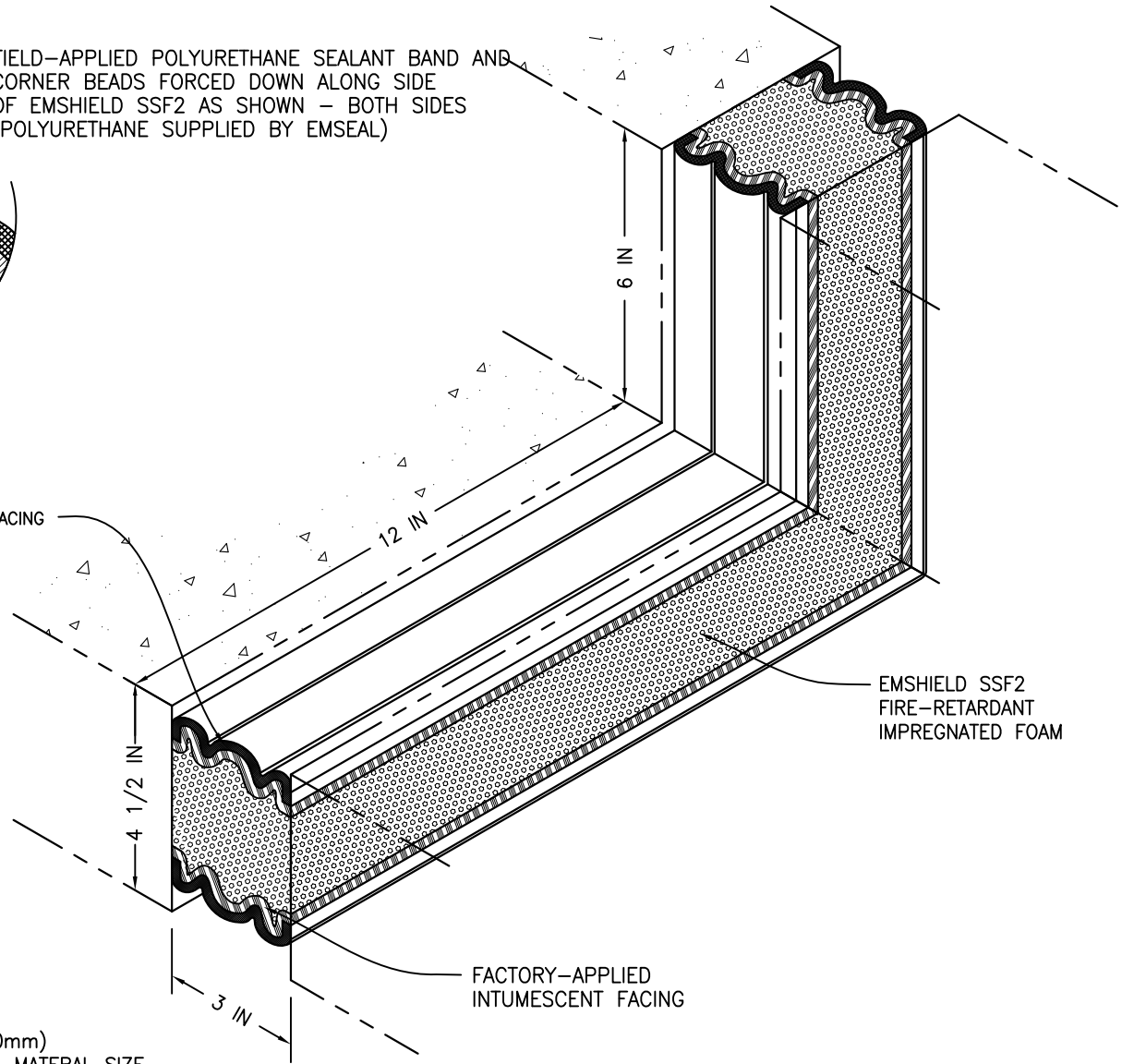


FIELD-APPLIED POLYURETHANE SEALANT BAND AND CORNER BEADS FORCED DOWN ALONG SIDE OF EMSHIELD SSF2 AS SHOWN - BOTH SIDES (POLYURETHANE SUPPLIED BY EMSEAL)

FACTORY-APPLIED POLYURETHANE FACING



EMSHIELD SSF2 FIRE-RETARDANT IMPREGNATED FOAM

FACTORY-APPLIED INTUMESCENT FACING

JOINT GAPS FROM 1 TO 4 INCHES (25-100mm)
MOVEMENT: ±25% (TOTAL 50%) OF NOMINAL MATERIAL SIZE

EMSEAL'S EMSHIELD SSF2 HAS BEEN TESTED IN ACCORDANCE WITH UL 2079 IN THE CONFIGURATION DEPICTED IN UL SYSTEM # FF-D-1089 . USE OF THIS MATERIAL IN DECK ASSEMBLY CONFIGURATIONS OTHER THAN DEPICTED IN UL SYSTEM # FF-D-1089 WILL NOT ENCUMBER OR LOWER THE RESISTANCE OF THE DECK BUT IS DONE SO AT THE DESIGNERS' DISCRETION AND RESPONSIBILITY FOR DESIGN OF A FIRE RATED DECK ASSEMBLY THAT MEETS APPLICABLE STANDARDS FOR THE PROJECT.

EMSEAL JOINT SYSTEMS LTD.

EMSHIELD SSF2 INSIDE VERTICAL PLANE UNIVERSAL-90

THIS DOCUMENT CONTAINS INFORMATION OF A CONFIDENTIAL NATURE UNAVAILABLE TO THE PUBLIC AND IS PROPRIETARY TO EMSEAL CORPORATION. ANY UNAUTHORIZED USE WILL BE PROSECUTED. THIS DRAWING IS PROTECTED BY COPYRIGHT, THE RIGHT TO REPRODUCE IN ANY FORM BEING THE EXCLUSIVE RIGHT OF EMSEAL CORPORATION. ANY UNAUTHORIZED REPRODUCTION WHETHER IN TWO OR THREE DIMENSIONS WILL BE PROSECUTED.

DRAWN BY:	DATE:	SCALE:	SHEET
TAB	05/25/10	N.T.S.	No: 1 OF 1

PART NUMBER: FOAM\EMSHIELD\SSF2\
EMSHIELD SSF2 INSIDE VERTICAL U-90 - 001